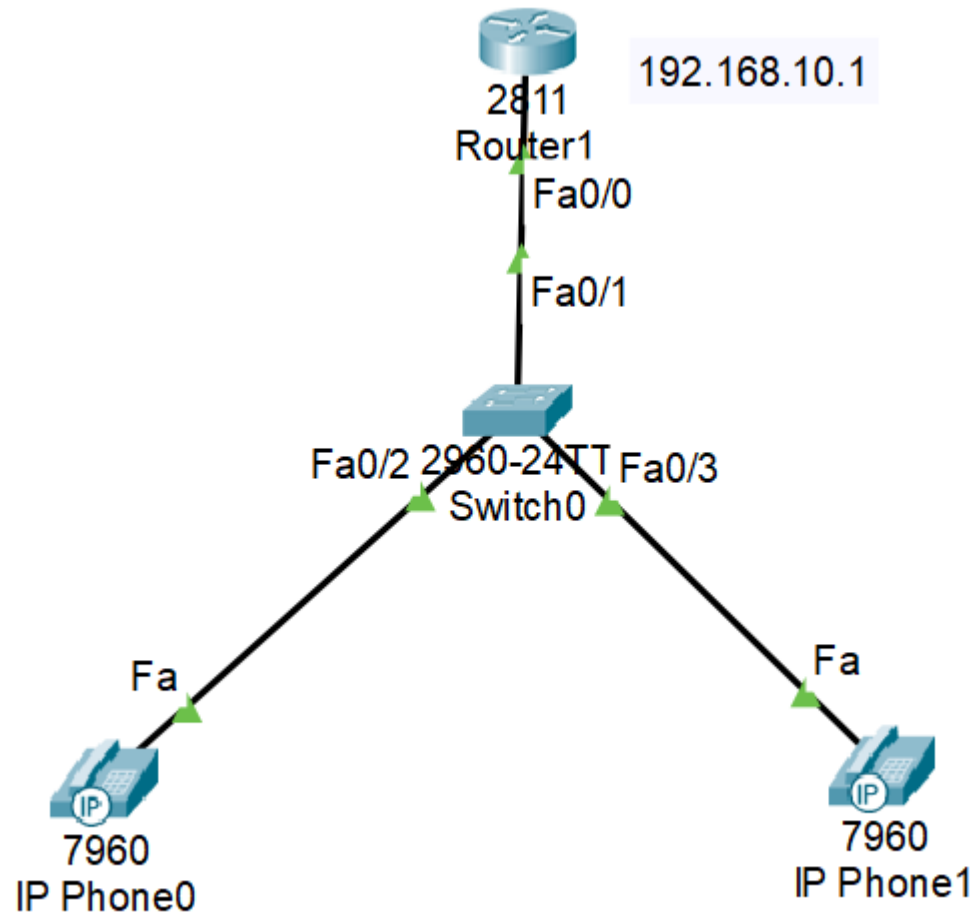


Modul Praktikum Cisco VOIP (H.323)

Topologi VoIP



Konfigurasi Router

Ip address

```
Router>enable
Router#config terminal
Router(config)#interface fastethernet 0/0
Router(config-if)#ip address 192.168.10.1 255.255.255.0
Router(config-if)#no shutdown
Router(config-if)#exit
```

```
Router(config)#ip dhcp pool voip
Router(dhcp-config)#network 192.168.10.0 255.255.255.0
Router(dhcp-config)#default-router 192.168.10.1
Router(dhcp-config)#option 150 ip 192.168.10.1
Router(dhcp-config)#exit
```

DHCP server

TFTP server

```
Router(config)#telephony-service
Router(config-telephony)#ip source-address 192.168.10.1 port 2001
Router(config-telephony)#max-ephones 3
Router(config-telephony)#max-dn 3
Router(config-telephony)#auto assign 1 to 3
Router(config-telephony)#exit
```

sumber VoIP
maks ip_phone
maks no telp
dial otomatis

Konfigurasi Router

```
Router(config)#telephony-service
Router(config-telephony)#ephone-dn 1
Router(config-telephony)#number 5555
Router(config-telephony)#ephone-dn 2
Router(config-telephony)#number 6666
Router(config-telephony)#exit
```

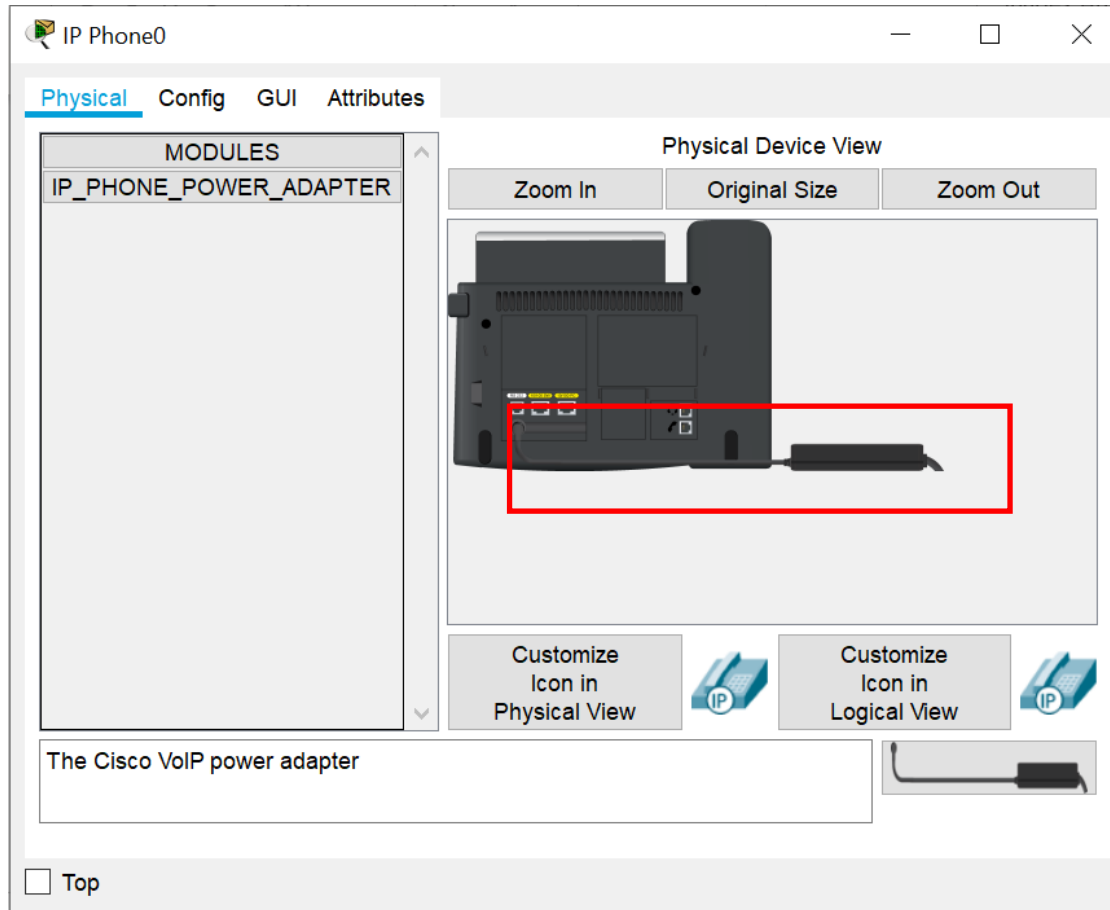
Phone 1

Phone 2

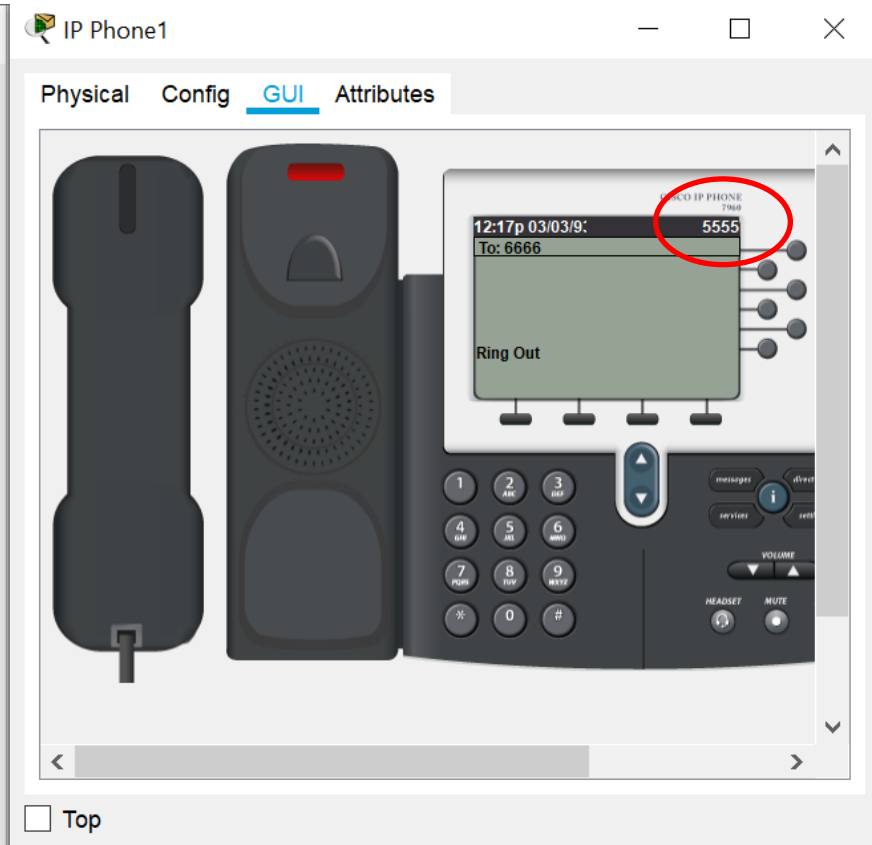
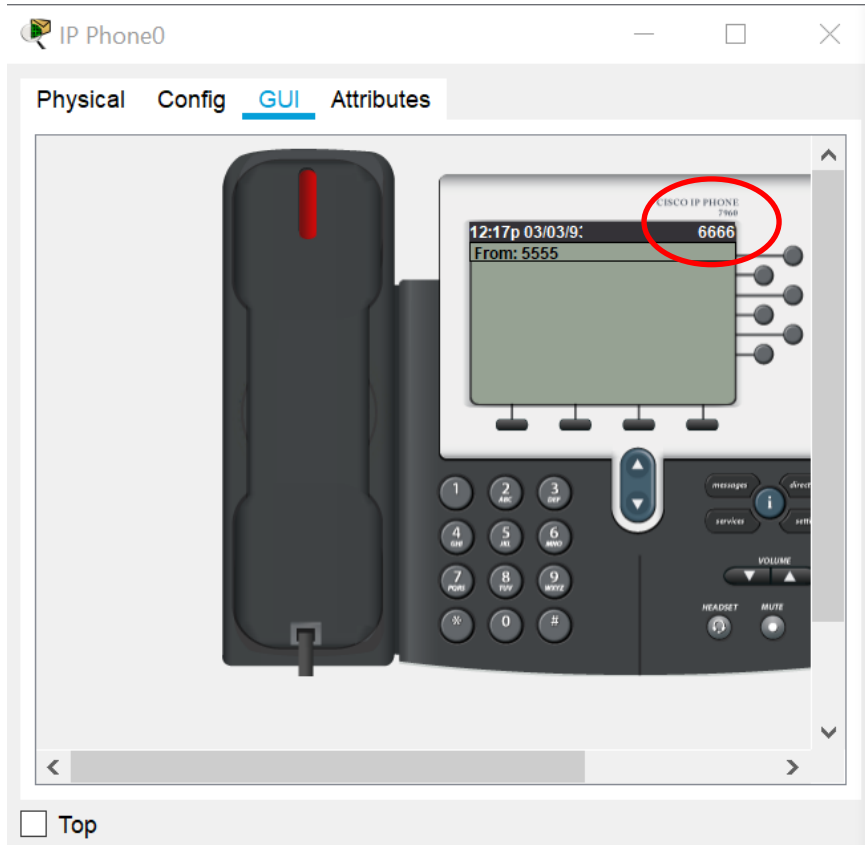
Konfigurasi Switch

```
Switch>enable  
Switch(config)#interface range f0/1-5  
Switch(config-if-range)#switchport mode access  
Switch(config-if-range)#switchport voice vlan 1  
Switch(config-if-range)#exit  
Switch(config)#
```

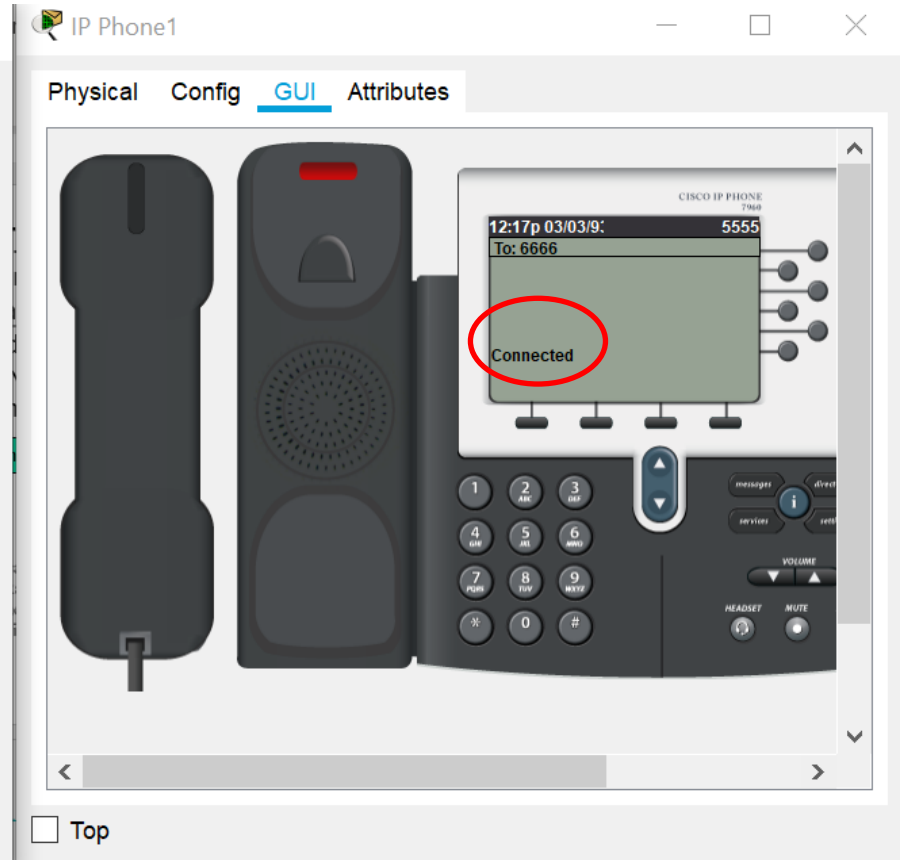
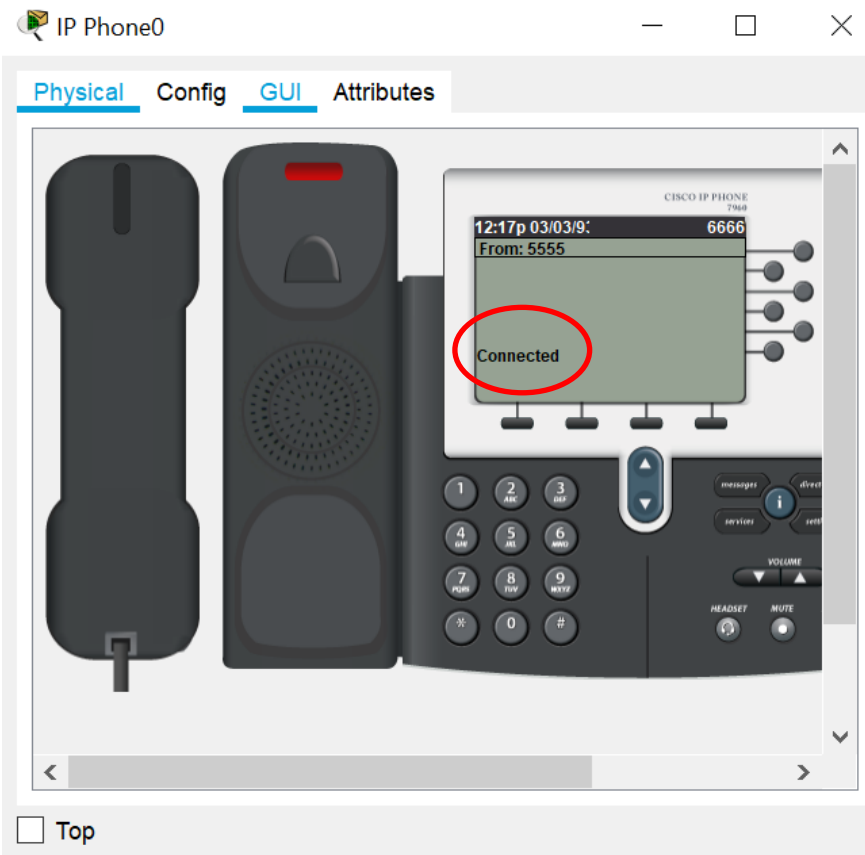
Konfigurasi End User (Power On)



Konfigurasi End User (Ring On)



Konfigurasi End User (Connected)



Tugas

- Tambahkan user menjadi 7 user
- Lakukan interkoneksi satu sama lain
- Buat laporan resminya